

TABLES

Dimensions

All dimensions are in inches and millimeters. Dimensioned drawings below can be downloaded at www.chernerchair.com

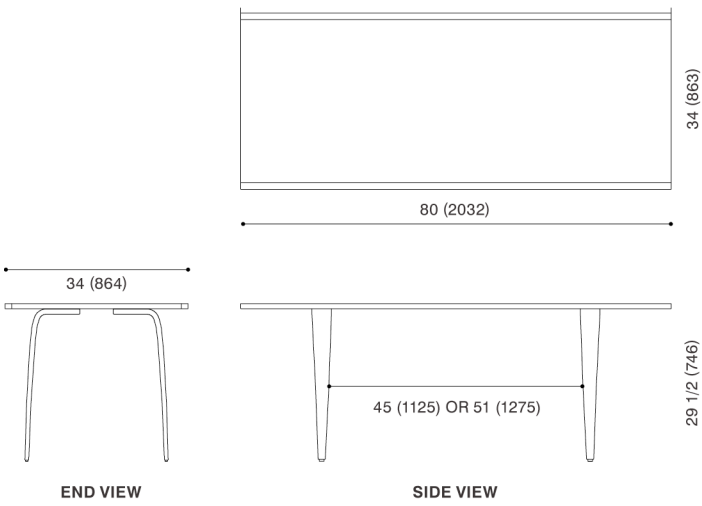
Specifications

Top: One piece 1 multiply plywood core with walnut or beech face veneer. Solid walnut or beech edge banding. Round tops have a profiled exposed multiply core edge.

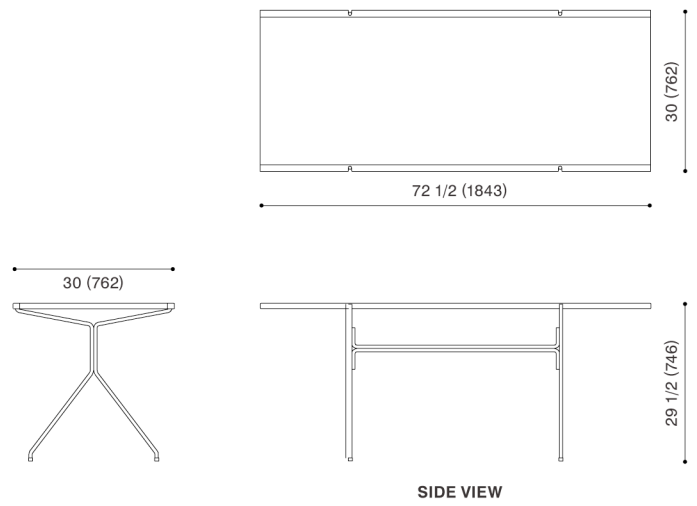
Wood Base: Laminated beech. Face veneers in walnut or beech.

Metal Base: 3/4 solid stainless steel rod.

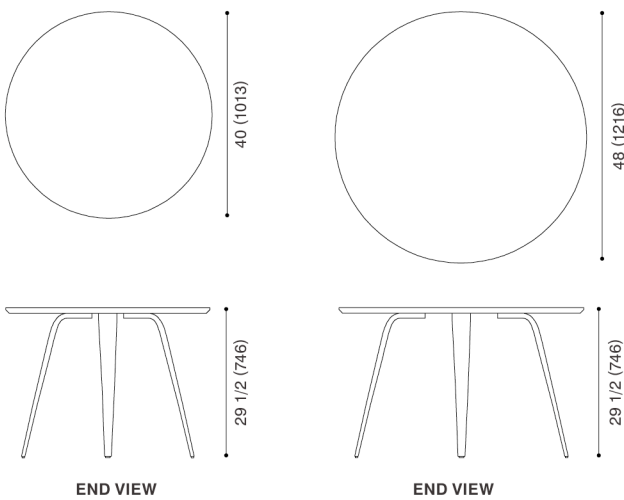
CHERNER 34 X 72/80 DINING Wood Base



KONWISER 34 X 72 DINING Metal Base



CHERNER 40 / 48 DIA Wood Base



CHERNER 84 X 38 OVAL DINING Wood Base

