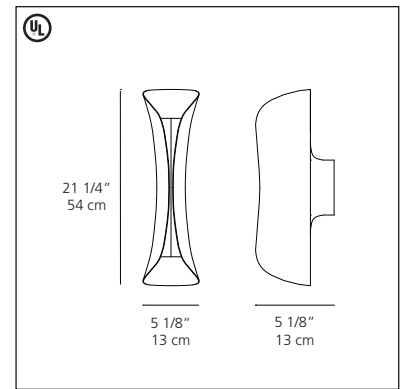


Artemide® Cadmowall

Karim Rashid


Wall mounted luminaire for direct and indirect fluorescent lighting.

- body in injection molded polycarbonate with exterior in black, white, or the newly introduced red painted finish, interior in white painted finish
- wall support bracket mounting to standard electrical junction boxes



Cadmowall

fluorescent source

- 2 x 32W (GX24q-3/T4).....

eco♥design

