



Weblink
2506

Design
Louise Campbell

Concept
Collage Pendant creates direct and diffuse illumination. The pendant consists of three staggered shades. All three have carefully been staggered in order to avoid any direct glare from the light source. The light and shadows from the fixture are ever changing when viewing the fixture from different angles.

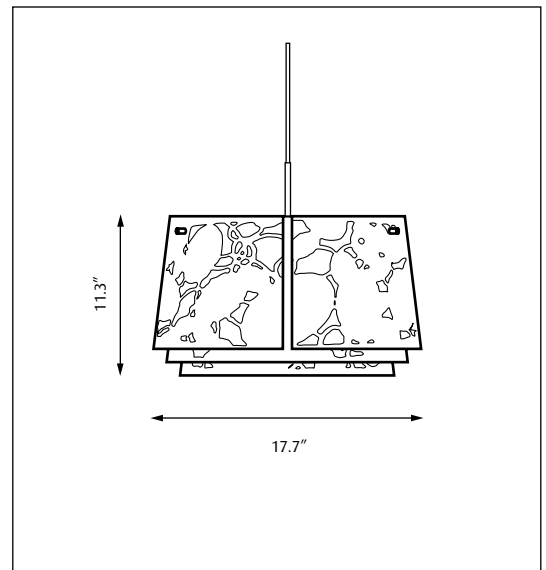
Finish
Hotlips (pink), juicy orange (orange), lemon yellow (yellow), smoke screen (smoke-tinted) or snow white (white).

Material
Suspension: Naturally anodized aluminum. Shades: Laser cut acrylic.

Mounting
Canopy: White. Cord type: 3-conductor, 18 AWG white PVC power cord. Cord length: 8'.

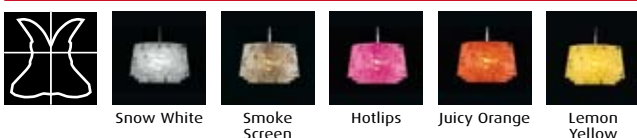
Weight
Max. 10 lbs.

Label
cULus, Dry location. IBEW.



Product code	Light source	Voltage	Finish
COL-450-P	1/75W/A19/IF medium 1/20W/CMH/T4.5 G8.5	120V	HOTLIPS JUICY ORANGE LEMON YELLOW SMOKE SCREEN SNOW WHITE

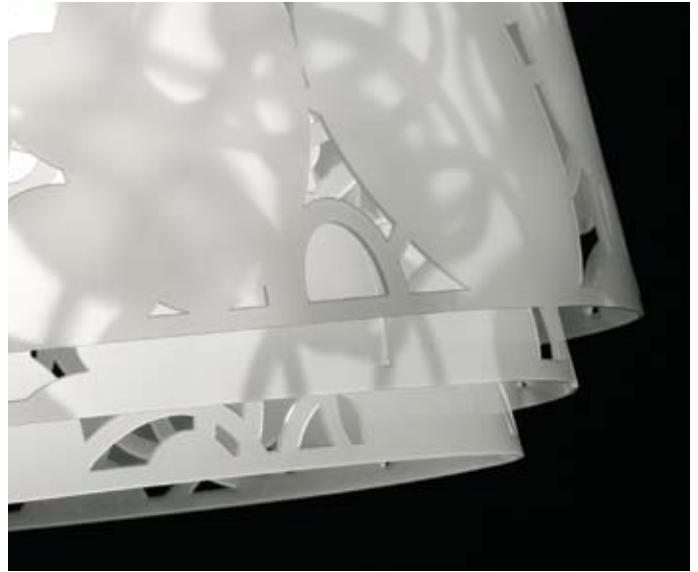
Info notes:
I. The colors (except for snow white) are mixed by hand.
II. The fixture comes with a unique identification number.
III. The comparable EU version has the following classification: Ingress Protection Code: IP20.



Collage 600 Pendant

pendants

louis
poulsen



Weblink
211

Design
Louise Campbell

Concept
Collage Pendant creates direct and diffuse illumination. The pendant consists of three staggered shades. All three have carefully been staggered in order to avoid any direct glare from the light source. The light and shadows from the fixture are ever changing when viewing the fixture from different angles.

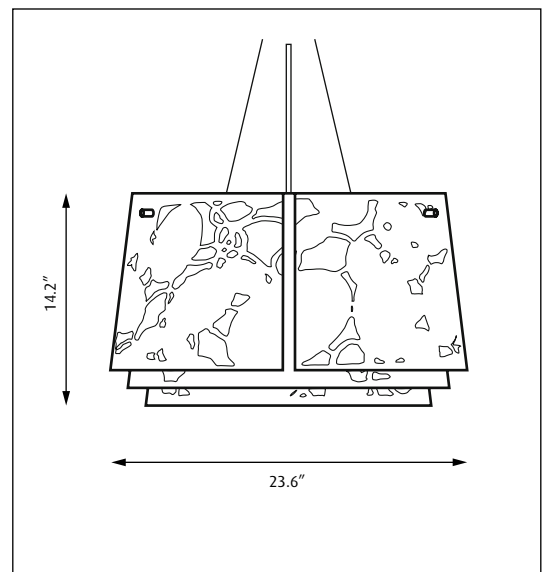
Finish
Hotlips (pink), juicy orange (orange), lemon yellow (yellow), smoke screen (smoke-tinted) or snow white (white).

Material
Suspension: Naturally anodized aluminum. Shades: Laser cut acrylic.

Mounting
Suspension type: 3x stainless steel aircraft cables. Suspension length: 12'. Canopy: White. Cord type: 3-conductor, 18 AWG white PVC power cord. Cord length: 12'.

Weight
Max. 10 lbs.

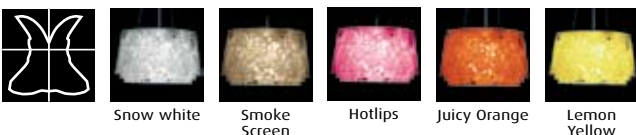
Label
cULus, Dry or Damp location. IBEW.



Product code	Light source	Voltage	Finish
COLLP	1/100W/A-19/IF medium 1/26W/32W/42W/CF GX24q-3/4 1/39W/CMH/T4.5 G8.5	120V 120-277V	HOTLIPS JUICY ORANGE LEMON YELLOW SMOKE SCREEN SNOW WHITE

Specification notes:
a. CF variants provided with one integral 120-277V electronic ballast.
b. CMH variants provided with one integral 120-277V electronic ballast.

Info notes:
I. The colors (except for snow white) are mixed by hand.
II. The fixture comes with a unique identification number.
III. The comparable EU version has the following classification: Ingress Protection Code: IP20.



Snow white

Smoke
Screen

Hotlips

Juicy Orange

Lemon
Yellow



Collage 450
Pendant



Bar Bella Center
Copenhagen Furniture Fair
Copenhagen, Denmark
Photo
Anders Sune Berg