

vitra.

.03 / .04 / .05 / .06 /

MVS Chaise Van Severen Collection





In 1987, Belgian designer **Maarten Van Severen** began to produce limited-edition furniture in his Ghent workshop. The first product to come from his collaboration with Vitra, which began in 1994, was the .03 chair. Since then, an entire Van Severen Collection has been introduced.

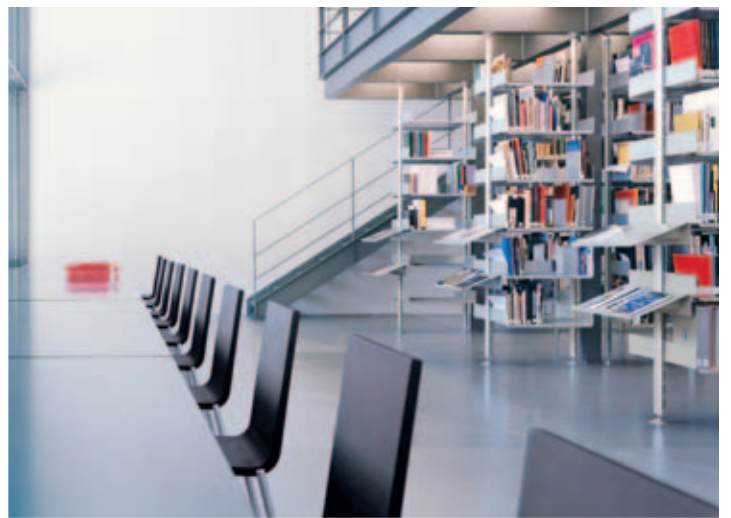
.03

.03 is a "general chair" with almost unlimited applications. The shell, with its linear silhouette and flexible integral foam construction, adapts to the body: when the sitter leans back, the upper part of the backrest yields slightly. Built-in leaf springs give added resilience to the backrest and return it to the original position when pressure is removed. That is what makes .03 so unexpectedly comfortable.





.03 offers optional advantages, especially for use in public spaces: it can be compactly stacked (up to 20 chairs per stack), has linking connectors with or without seat numbers and is robust and easy to clean.





.04

.04 is clearly different from swivel chairs found in traditional offices. It works especially well in places where a typical office look is undesirable – in the home, in creative offices or in studios..
The chair's stringent, linear appearance is coupled with a comfortable seat surface and a pleasantly resilient backrest. The micro-mechanism under the seat allows a smooth transition from a forward posture to a reclining position, as well as moderate lateral movement. This makes .04 suitable for prolonged seating.



.04 can also be mounted on a bench beam for waiting areas.





MVS Chaise

The MVS Chaise is found in offices and studios, in the home and garden, or on the patio; in fact anywhere a person wants to relax or power nap. Once again, the chair's comfort is due to its innovative material: the lounge surface offers a pleasing give and lasting comfort. A leather cushion supports the head. The frame construction makes it easy to change from a sitting to a reclining position.





New: .05

Suitable as a visitor, conference or dining chair, .05 can be used in the home, in offices and conference venues, in restaurants, libraries, shops, museums and galleries.

The principle of the cantilevered chair dates back to the 1930s. With the design of .05 and .06, Maarten Van Severen appears to have achieved the purest realisation of the cantilevered chair. The frame construction offers a high degree of comfort by responding to pressure with springy resilience, and the flexible tensile shell makes the seat as comfortable as a cushion.



Coming Soon: .06

.06 is suited for use in lounges, bars, hotels, fitness facilities and the home.



Thanks to robust materials – rust-proof stainless steel and easy-to-clean integral skin foam – both chairs are weather and water resistant.



.03 | 1998



.04 | 2000



MVS Chaise | 2000



.05 | 2004



.06 | 2005

Formal clarity and simplicity are distinguishing aesthetic features of Maarten Van Severen's designs. Their appearance is restrained and elegant. Every element is structurally motivated and reduced to its essential form.

The great comfort of these objects is revealed upon use. It is achieved by the intelligent employment of materials: the flexible integral foam used for the backrest, seat and reclining surfaces yields gently to the sitter's weight and adapts to body contours, thereby making additional padding unnecessary. Structural elements are made of metal, providing stability and support.



Van Severen Collection Programme features

Seat/back and recliner shell construction made of profiled steel frame encased in batch-dyed integral polyurethane foam. Flexible backrest with integrated leaf springs.

.03: Four-legged chair, stackable and non-stackable versions. Back legs tubular steel, front legs profiled aluminium with surface coating RAL 9006 (silver colour). Optional felt glides for hard floors. Connecting hardware: stackable chairs can be connected and numbered (in straight rows or radial arrangements) with additional attachments.

Weight: approx. 7 kg. Fire resistance: passes testing based on DIN EN 1021.

.04: Height-adjustable swivel chair on five-star base with castors. Micro-mechanism with rubber spring allows full-range movement of seat. Base and bridge in pressure-cast aluminium, powder coating RAL 9006. With or without armrests made of black integral foam. Optional soft castors for hard floors. Counter chair version also available with reverse braked castors.

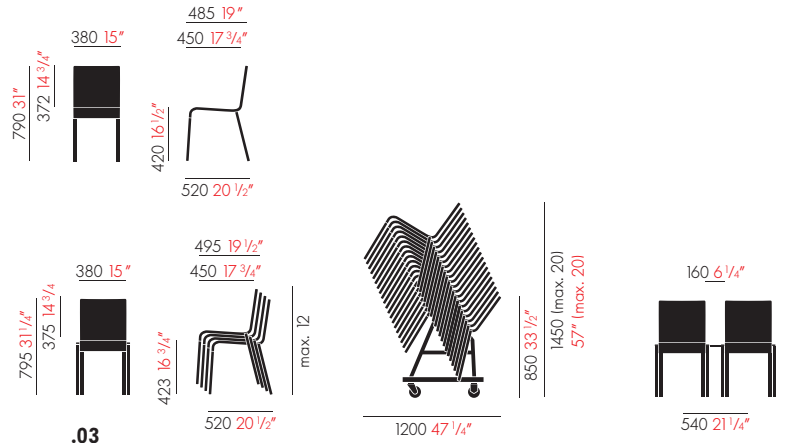
.04 on bench beam: 2 to 5 seat units (2 lateral legs for all lengths), steel T-beam epoxy coated in basic dark, aluminium legs with surface coating RAL 9006. Configurations with table units available upon request.

.05 and .06: Cantilevered chairs. Base made of rust-proof stainless steel tubing with brushed (matte) finish. Optional felt glides for hard floors. Suitable for outdoor use and wet interiors.

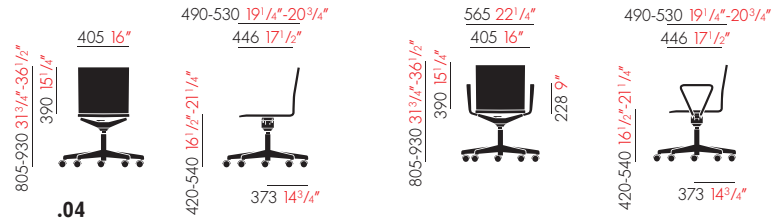
MVS Chaise: Base chrome-plated or stainless steel. Height-adjustable head cushion covered in leather. Stainless steel version suitable for outdoor use and wet interiors, with head cushion made of weatherproof, soft polyurethane foam.

All of the products in the Van Severen Collection are easy to maintain and clean.

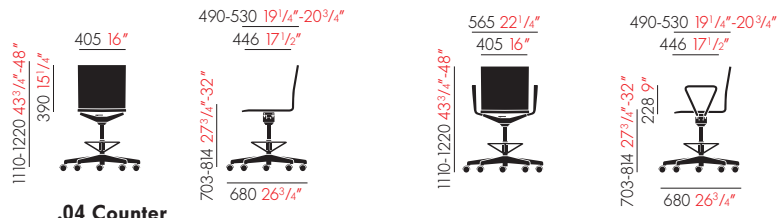
All measurements in millimetres and inches



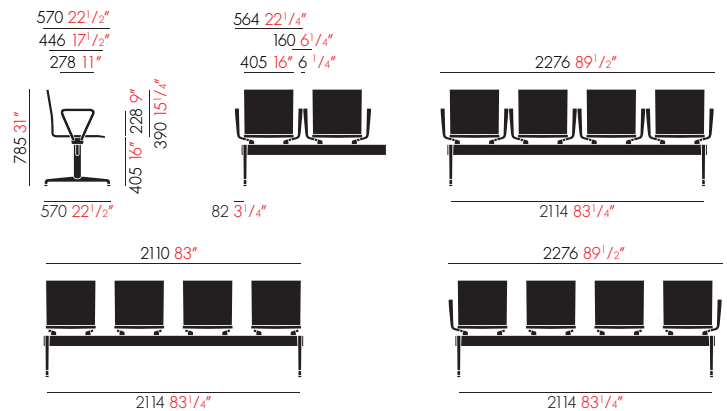
.03



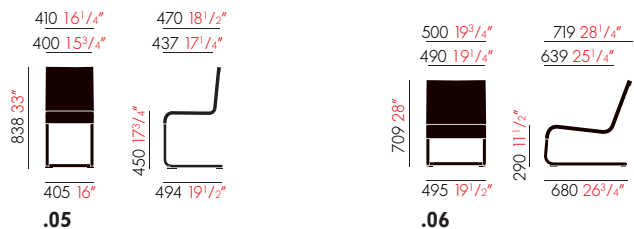
.04



.04 Counter

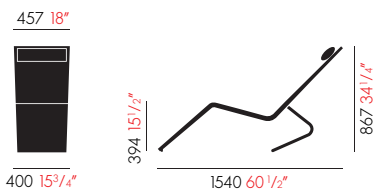


.04 Bench



.05

.06



MVS Chaise

.03 | .04 | .05

Integral polyurethane foam



.06 | MVS Chaise

Integral polyurethane foam



Deviation in colour are possible due to the printing process.

vitra.

Vitra International AG, Birsfelden, CH | Vitra Ges.m.b.H., Wien, A | NV Vitra Belgium SA, Diegem, B | Vitra AG, Birsfelden, Showroom: Zürich, CH | Vitra koncept, s.r.o., Praha, CZ | Vitra GmbH, Weil am Rhein, D | Vitra Hispania S.A., Madrid, Showroom: Barcelona, E, Lisboa, P | Vitra, Paris, F | Vitra Ltd., London, GB | Vitra International AG, Budapest, HU | Vitra (Nederland) B.V., Ouderkerk aan de Amstel, NL | Vitra Scandinavia AS, Oslo, N | Vitra International AG, Warszawa, PL | Vitra Furniture Pte. Ltd., Singapore | Vitra Inc., New York, San Francisco, USA | email: info@vitra.com | www.vitra.com