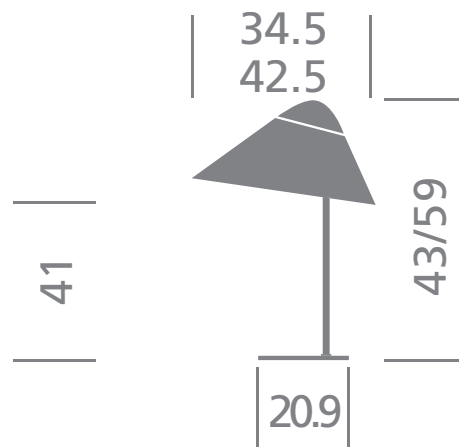


Hans J. Wegner / Opala Table Light





1:20  
Measurements in centimeters

Tel +45 6612 1404\_ info@carlhansen.com  
www.carlhansen.com

Hans J. Wegner

 Carl Hansen & Søn

Opala Table Light  
B01/B02