

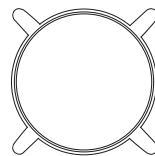
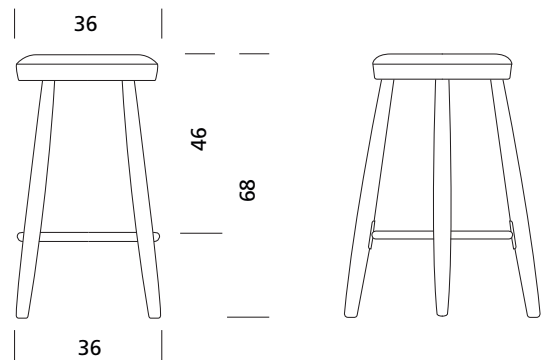
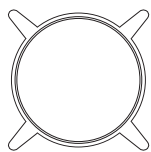
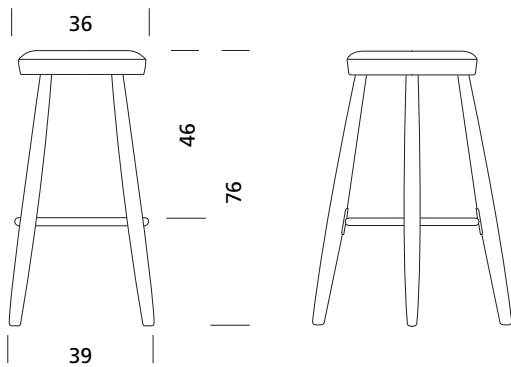
Hans J. Wegner / CH56/CH58 / 1985/2005



CH56



CH58



1:20
Measurements in centimeters

Tel +45 6612 1404_ info@carlhansen.com
www.carlhansen.com

1985/2005

Hans J. Wegner _ CH56/CH58