

MINIKELVIN LED - Specification Sheet
by Antonio Citterio, 2011

Mounting	Table top
Lamp (Bulb) Description	252 LED 2700K 1260lm CRI 93 - 20W
Environment	Indoor
Finish	Aluminum
Technical and Product Description	LED Table lamp providing direct light. Head in presso-fused aluminum, diffuser in photo-engraved methacrylate with aluminated surround. Power pack on plug, base in pressofused zamak. Directionable head. ON/OFF switch with Soft Touch technology and light flow adjustment to 2 intensities (100% - 50% - 0%). Power pack on plug with interchangeable plugs.

Electrical

Emergency Switching	Without
Voltage (V)	0-100% dimmer fitted on polarized power cord

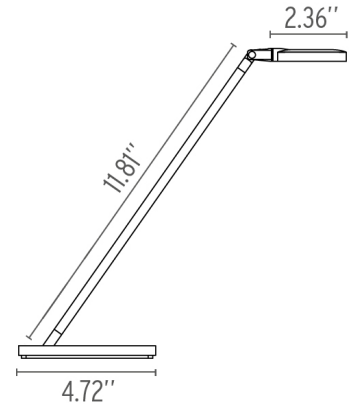
Physical

Supply	N/S
Cord length (inches)	
Construction material	Aluminum



F4180057 Chrome

Dimensions



Certifications

Lamping (Bulbs)
252 LED 2700K 1260lm CRI 93 - 20W