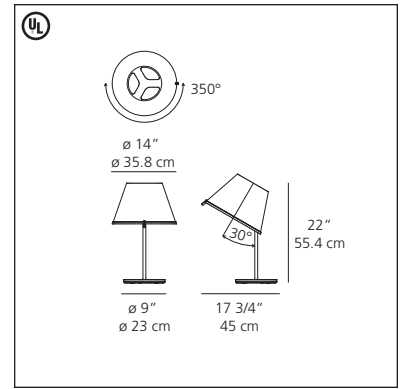


Choose table

Matteo Thun

Table standing luminaire with adjustable diffuser for direct and diffused incandescent or fluorescent lighting.

- diffuser in transparent polycarbonate with pleated design incorporating a red thermoformed silk-screened polycarbonate or parchment paper removable insert (custom colors available)
- diffuser adjusts with a transparent clip to full downward and 30° upward tilt positions, and also rotates 350° around its vertical axis
- base and stem in dark grey painted steel
- on/off switch incorporated in base
- newly redesigned to incorporate compact fluorescent option utilizing GU24 base with integrated ballast and lamp holder



Choose table

incandescent source

- 1 x 75W (E26/A19).....

or

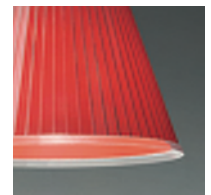
fluorescent source

- 1 x 13W (GX24q-1/T4).....

eco♥design



parchment



red



Artemide

www.artemide.us