

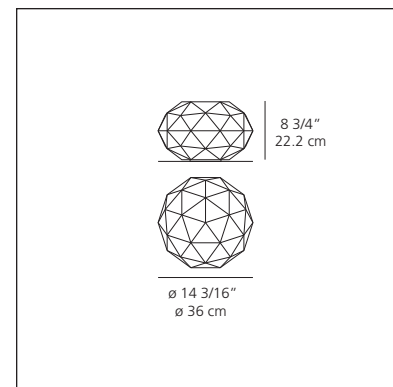
**Artemide**

## Soffione 36 table top

Michele De Lucchi, Alberto Nason

Table standing luminaire for diffused halogen lighting.

- diffuser shape similar to the geometric structure of crystals
- diffuser in white handblown glass with polished silk finish
- concealed base in white molded thermoplastic with weighted steel base
- dimmer switch on cord



**Soffione 36 table top**

**halogen source**

- 1 x 150W (E26/T10 dbl. env.).....

