

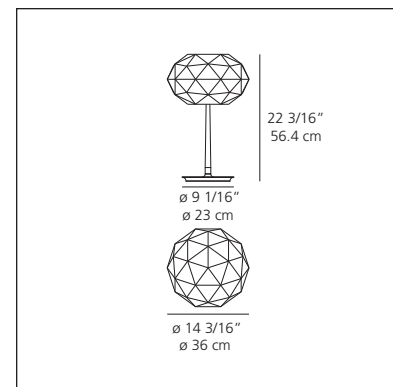
**Artemide**

## Soffione 36 stem table

Michele De Lucchi, Alberto Nason

Table standing luminaire for diffused halogen lighting.

- diffuser shape similar to the geometric structure of crystals
- diffuser in white handblown glass with polished silk finish
- base in die-cast aluminum and steel stem
- base and stem in polished chrome finish
- provided with dimmer



**Soffione 36 stem table**

**halogen source**

- 1 x 150W (E26/T10 dbl. env.).....

