

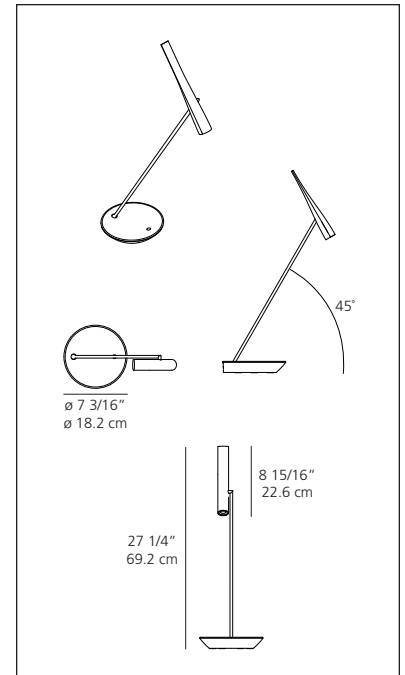
Artemide

Egle table

Michel Boucquillon 2010

Table standing luminaire for adjustable direct LED lighting

- spherical pivot base allows for wide range of rotation
- diffuser rotates 300°, stem rotates 150° vertically and 40° horizontally
- base acts as a reflector when diffuser is directed downwards
- slightly concave form of base enables use as an object-holder
- stem in aluminum, base and diffuser in die-cast aluminum available in polished white, polished black, or polished chrome finish
- interchangeable plug options accommodate most electrical outlets for global versatility



Egle table

LED source

- 1 LED/3W supplied

eco♥design



www.artemide.us