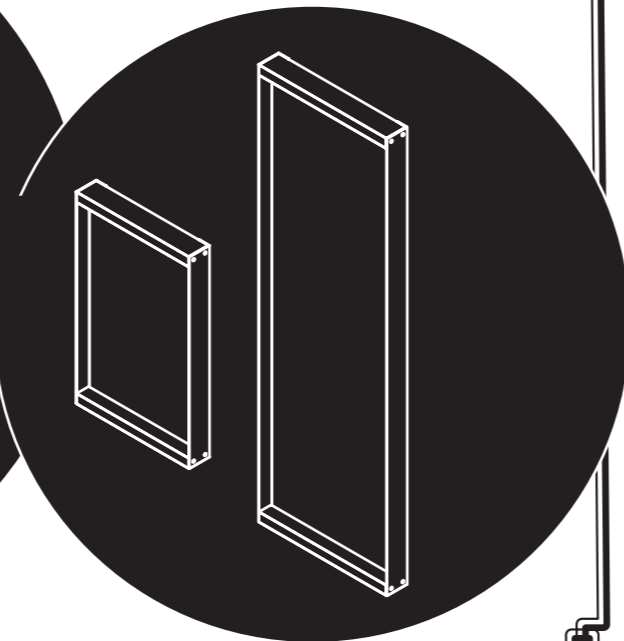


BLU
DOT

MIRROR MIRROR

ASSEMBLY NOTES

POISON APPLES
SOLD SEPARATELY



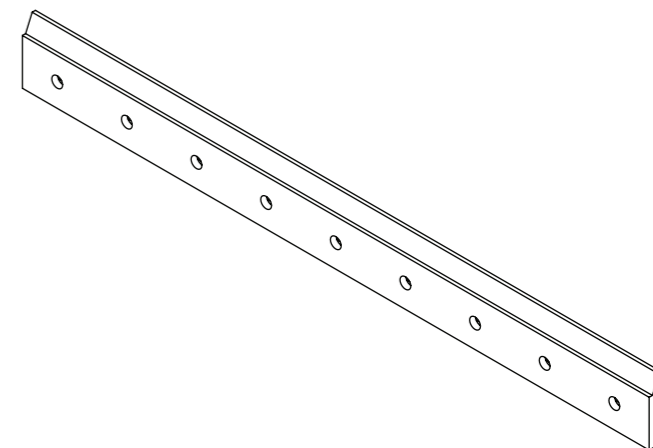
HANGING

1

*

To determine the hardware best suited for your type of wall, consult your local hardware professional.

Install using fasteners in at least two of the holes in the cleat. At least one of those fasteners should be screwed into a stud.



CARE

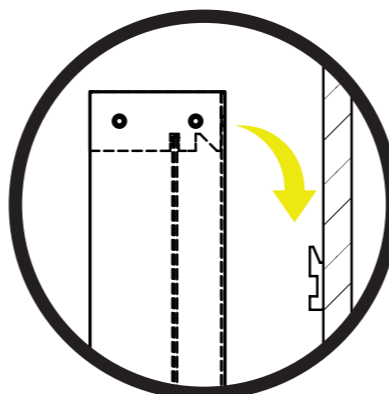
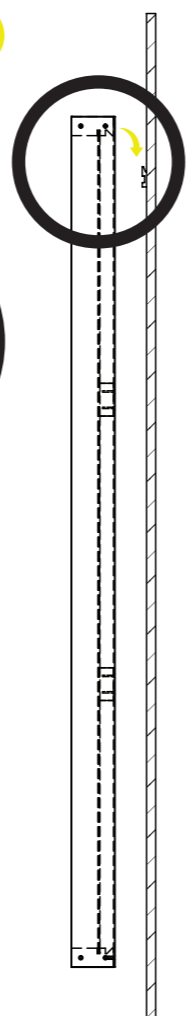
Clean wood with a slightly damp, soft cloth. To remove dirt and fingerprints, use a quality cleaner formulated for wood furniture. Wipe completely dry with a soft cloth in the direction of the wood grain. Clean glass with glass cleaner.

HANGING

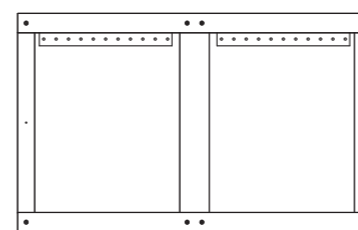
2

SIDE VIEW

Use one cleat if hanging mirror vertically.



Use both cleats if hanging mirror horizontally.



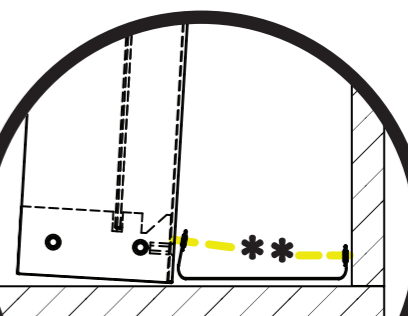
REAR VIEW

SIDE VIEW

LEANING

1

SIDE VIEW

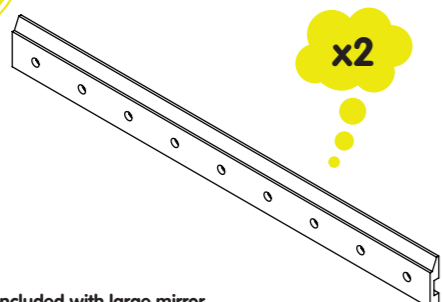
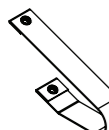


Attach anti-tip strip if leaning mirror against a wall.

PARTS

x1*

x2



*only included with large mirror